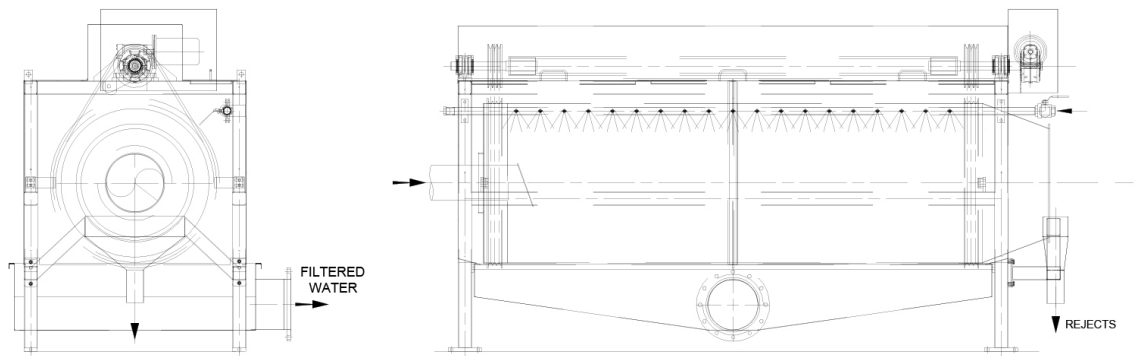
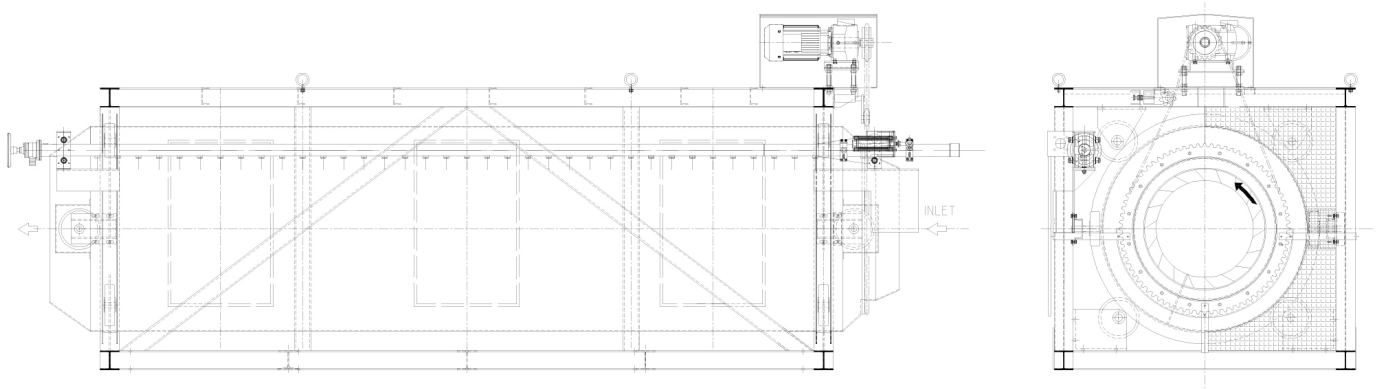


# ROTOSCREEN

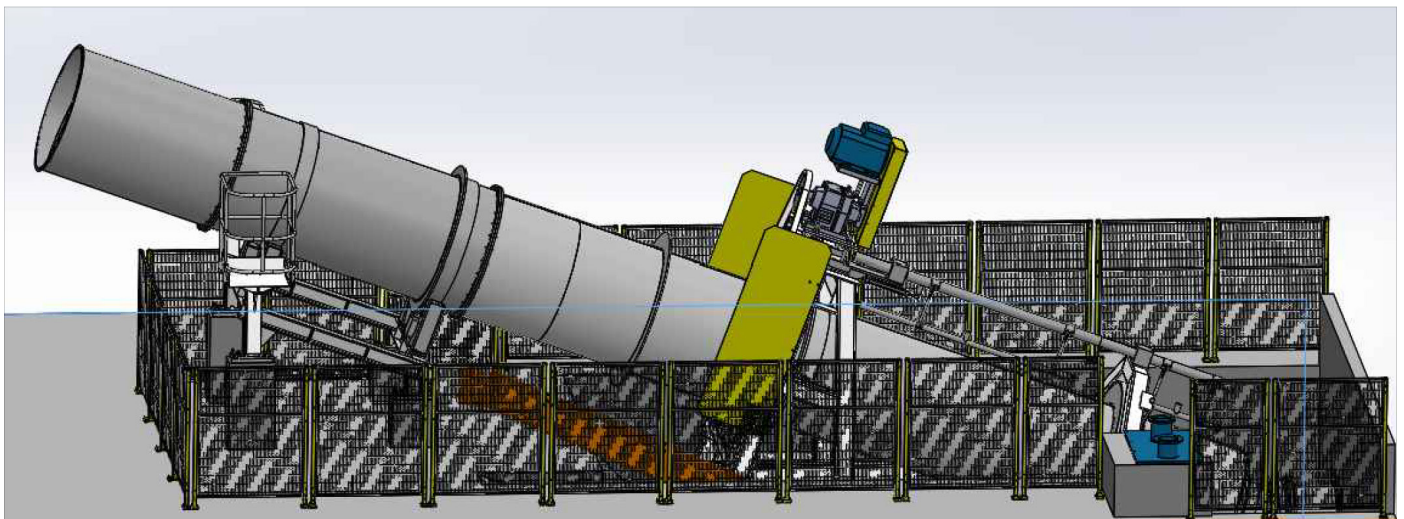
Palmac offer various solution for washing the rejects from the pulper.  
 Horizontal rotoscreen in top position: for washing pulper waste from Depurge.  
 Rotoscreen L: ideal for washing the rejects from pulper from direct tailgate.  
 Rotoscreen I: Ideal solution to receive and process rejects from any machine.



Horizontal Rotoscreen in top position for washing pulper rejects from Depurge.



Rotoscreen L: Ideal for washing the rejects of the pulper via direct tailgate.



Rotoscreen I: Ideal solution to receive and process rejects from any machine.