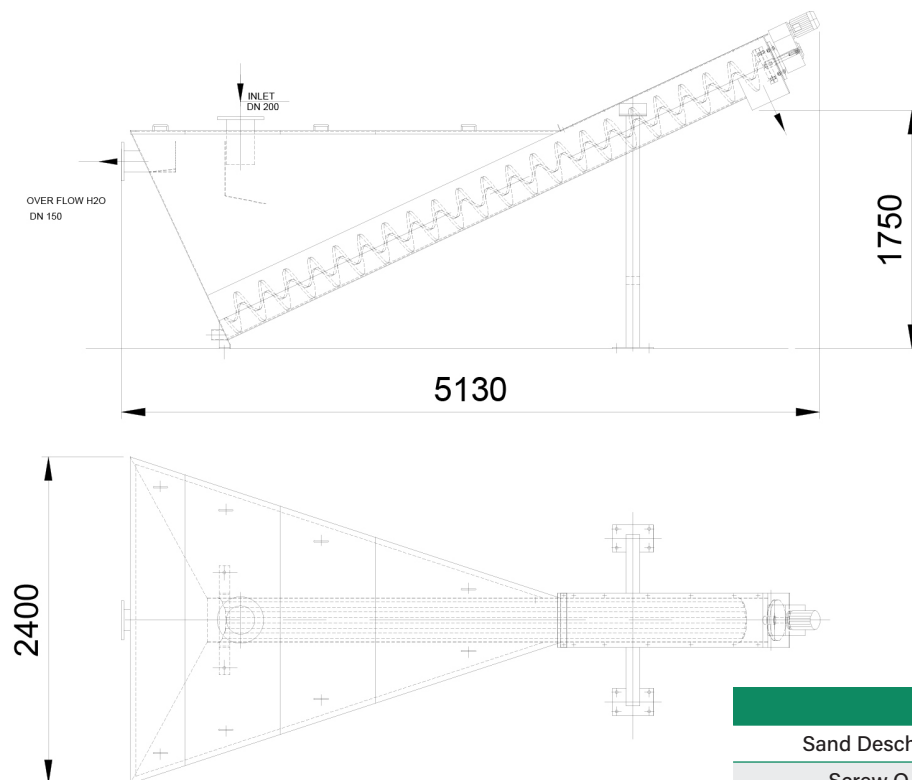


SEPAL 1

Sand Discharge	200 X 320 mm
Screw O.D.	280 mm
Power in. kw	0,37
Dinamyc load (full)	2200 daN



SEPAL 2

Sand Discharge	300 X 320 mm
Screw O.D.	280 mm
Power in. kw	0,55
Dinamyc load (full)	4300 daN